

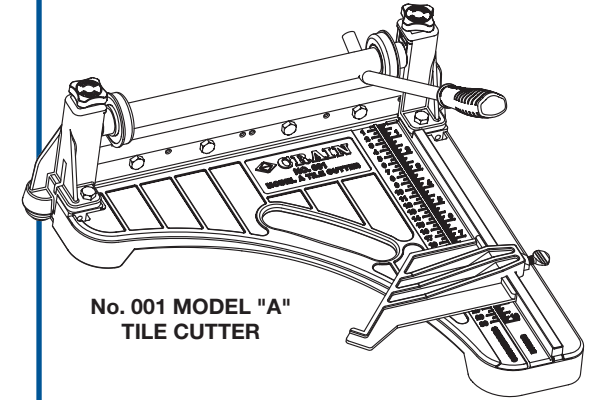
### GUARANTEE

This **TILE CUTTER** is guaranteed to be free of defects in workmanship or quality of materials for a period of 1 year.

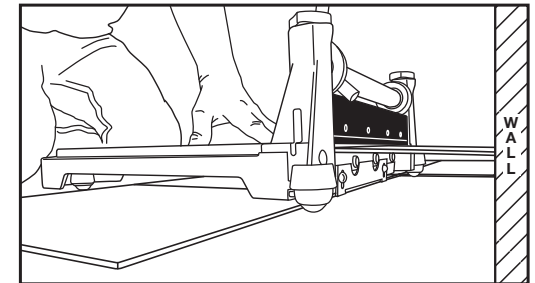
Any parts of this tool found defective subject to the guarantee will be replaced at no charge. Credit in full or part cannot be extended by the distributor, nor will new tools be given as replacements or loaners.

Tools subject to this warranty must be accompanied by same, returned freight PREPAID to Milpitas, CA, and must be in assembled condition.

# INSTRUCTION MANUAL FOR



No. 001 MODEL "A"  
TILE CUTTER



# CRAIN

No. 001 MODEL "A" TILE CUTTER



Made in  
America

**CRAIN CUTTER CO., INC.**

Milpitas, CA 95035

TELEPHONE (408) 946-6100

## FEATURES:

- Two 12 3/4" blades that will cut 12" x 12" tile straight.
- Built-in low profile blade height adjustment knobs.
- Bed-mounted tile guide with precision scale (ruler) in both inches and centimeters.
- Self measuring floor guide for repeat cuts at walls.
- Highly accurate: straightness of cut +/- .005"

## MATERIALS THAT CAN BE CUT:

This tool cuts most resilient vinyl floor tiles.

## TOP BLADE ADJUSTMENT:

This cutter is factory calibrated to "shear-cut". A properly set shear-cut ensures an easy and accurate cut.

To set the proper shear-cut in the field, first, swing the handle to an upward position. Next, place a sample tile to be cut under the top blade of the cutter. Turn the left hand blade height adjustment knob until the top blade is almost touching the tile. Lastly, turn the right hand blade height adjustment knob until there is a gap on the right side that is 2 times wider than on the left side. (See figure 1.)

**Example:** If the tile to be cut is 1/8" thick, then the gap on the left side will be slightly more than 1/8", and the gap on the right side should be about 1/4".

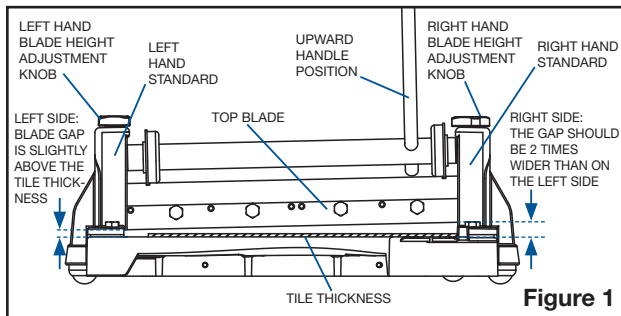


Figure 1

## BED-MOUNTED TILE GUIDE:

The bed-mounted tile guide (P/N 1001-C) can be set relative to the scale for repeat straight cuts at a desired length. The portion of the tile remaining on the bed of the cutter after the cut will equal the length setting on the scale. (See figure 2.)

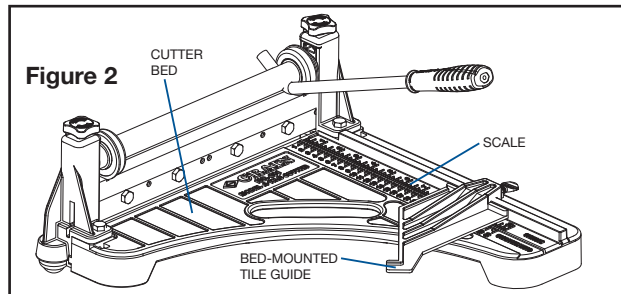


Figure 2

## \*Always follow manufacturer instructions\*

## SELF-MEASURING FLOOR GUIDE:

To save time, the cutter also has a floor guide (P/N 1001-R) that can be set for self-measuring cuts. To use, lower the floor guide and set it directly against the edge of the last full field tile. NOTE: extend the floor guide far enough to lift the casters out of any glue on the floor. Place the tile to be cut upside down in the cutter, and up against the wall. Push the handle down to make a cut. (See figure 3.)

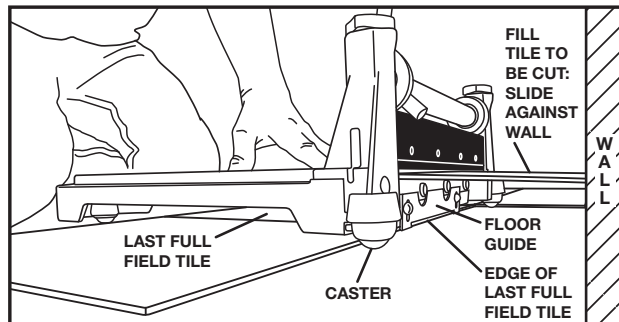


Figure 3

## HOW THE FLOOR GUIDE WORKS:

With the tile guide against the last field tile, and the tile slid all the way against the wall, a cut piece (dimension "A") should be equal to the space to be filled (dimension "B"). (See figure 4.)

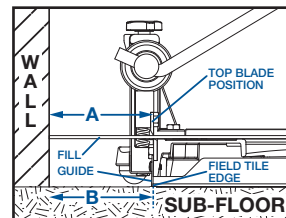


Figure 4

## BLADE CHANGING:

**BOTTOM BLADE:** This blade can be removed easily by loosening the 4 hex-head bolts on the rear of the cutter.

**TOP BLADE:** Before removing the top blade, the left and right adjustment knobs must be turned for maximum height. Next, swing the handle to upward position. Remove the 4 hex-head bolts holding the top blade. The top blade should then be loose. Slide the top blade through either the blade removal slot on the left or right hand standard, and remove it. (See figure 5.) Reverse this order for installation.

**Note:** Occasionally, the top blade will stick inside the slot of the standards. If this is the case, use a flat screw driver and tap the blade at a screw hole to push it out of the slot.

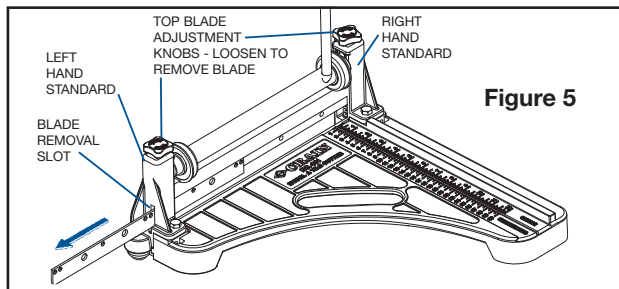
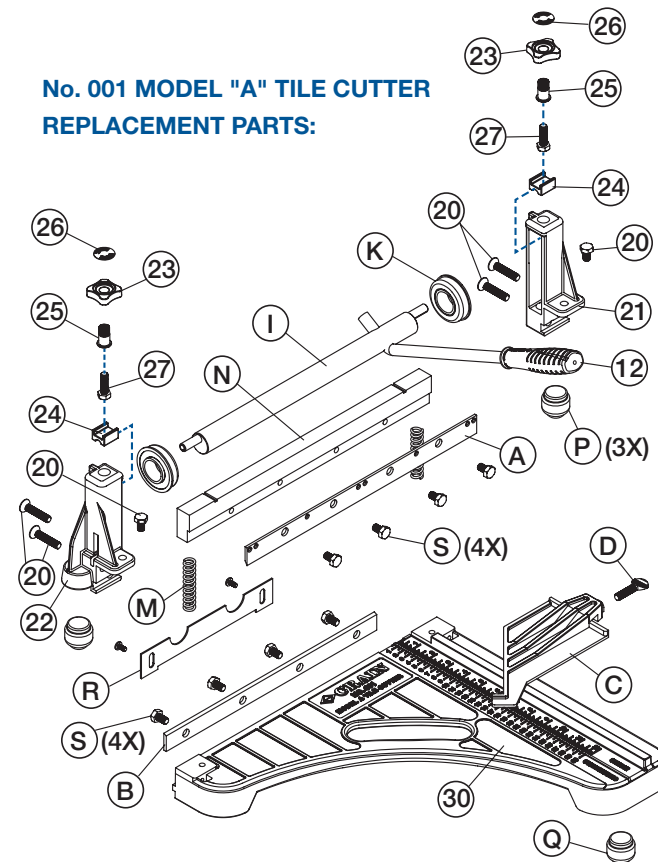


Figure 5

## No. 001 MODEL "A" TILE CUTTER REPLACEMENT PARTS:



Order No.	Description
1001-12	Handle Grip Only
1001-20	Standard Screw Set (3x)
1001-21	Right Hand Standard
1001-22	Left Hand Standard
1001-23	Dial Knob (1 each)
1001-24	Cam Bearing (1 each)
1001-25	Threaded Bushing (1 each)
1001-26	Knob Label (1 each)
1001-27	Bushing Screw (1 each)
1001-30	Base Casting
1001-A	Top Blade
1001-B	Bottom Blade
1001-C	Tile Guide w/Wing Screw
1001-D	Tile Guide Wing Screw Only
1001-I	Crankshaft, Handle & Grip
1001-K	Crankshaft Ball Bearing (1 each)
1001-M	Return Spring (1 each)
1001-N	Blade Carrier
1001-P	Ball Caster Set (3) & Glue
1001-Q	Ball Caster Only
1001-R	Floor Guide & Screw (2)
1001-S	Blades Screw Set (8)